

FLOS

09.4844.30ADA White

UT Spot Track Ø 86 Dali Version

Designed by FLOS Architectural, 2017



Spotlight to be installed on 3-phase track. with LED light source. 220-240V, 50-60Hz power supply integrated.

Are you a professional and your project needs consulting and support?

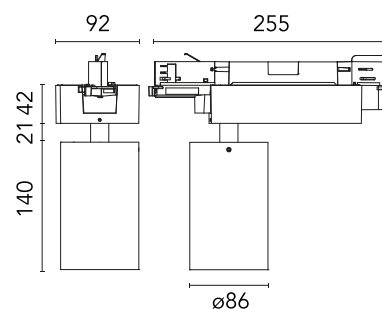
[BOOK AN APPOINTMENT](#)

Main specifications

| | |
|-------------------|---------------------|
| Mounting | Track |
| Environments | Indoor dry location |
| Light Source Type | LED |
| LED type | LED array |
| Lamp category | LED |
| Iicos | No |
| Bulb finish | Clear |
| Number of heads | 1 |
| Power (W) | 32.8 |
| System power (W) | 32.8 |
| Source flux (lm) | 3225 |
| System flux (lm) | 2089 |

Physical

| | |
|--------------------------|------------|
| Colour | White |
| Trim | No |
| Orientation | Adjustable |
| Rotation (°) | 360 |
| Longitudinal tilting (°) | 90 |
| Spot diameter (mm) | 86 |
| Net weight (kg) | 0.74 |
| IP internal | 20 |
| IP external | 20 |



Download

[Mounting instructions](#) ZIP

Photometric Files

[LDT / IES](#) ZIP

Technical Drawings

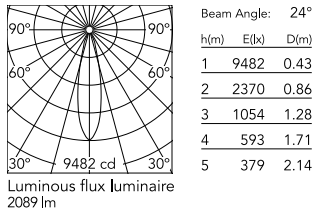
[2D](#) ZIP

[3D](#) ZIP

[Bim](#) ZIP



Schematic light drawing



Photometric

| | |
|------------------------|-----------|
| Lighting type | Direct |
| Light distribution | Symmetric |
| CCT (K) | 3000 |
| CRI> | 90 |
| Beam angle C0-180 (°) | 24 |
| Beam angle C90-270 (°) | 24 |

Electrical

| | |
|-----------------------------------|---------------------------------------|
| Insulation class | II |
| Frequency (Hz) | 50/60 |
| Main voltage (Vac) | 220-240V |
| Alternating current voltage (Vac) | 230 |
| LED current (mA) | 900 |
| Driver | Integrated |
| Dimmable | Yes |
| Dimming type | Dimmable DALI 1 |
| Dimming interface | Remote Dimmable (Dimmer Not Included) |
| Emergency type | No |

Notes

FLOS three-phase lighting track luminaires are designed and fully tested for tracks recommended by FLOS. Compatibility is guaranteed with three-phase track produced by Nordic Aluminium. Compatibility with Eutrac under request. FLOS three-phase DALI track luminaires are designed for Pulse DALI from Nordic Aluminium.

Ecodesign and Energy Labelling



Replaceable (LED only) light source by a professional



Replaceable control gear by a professional

Accessories & Power Supply



OPTIONAL
Accessory

Optical

08.8163.68

Elliptical lens



OPTIONAL
Accessory

Optical

08.8175.68

Flood lens



OPTIONAL
Accessory

Optical

08.8410.00

Holding ring



OPTIONAL
Accessory

Optical

08.8411.00

Screening crosspiece



OPTIONAL
Accessory

Optical

08.8495.14

Honeycomb