

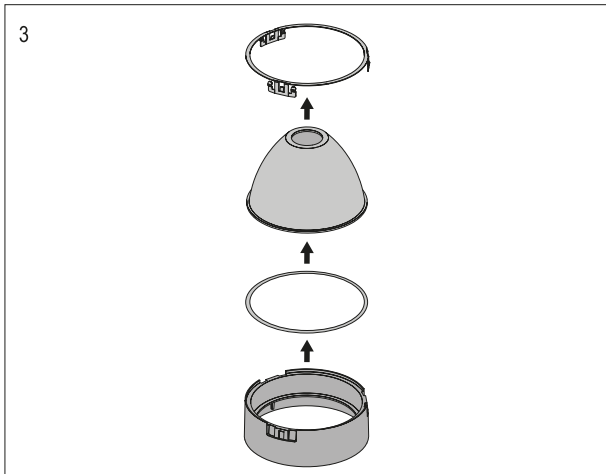
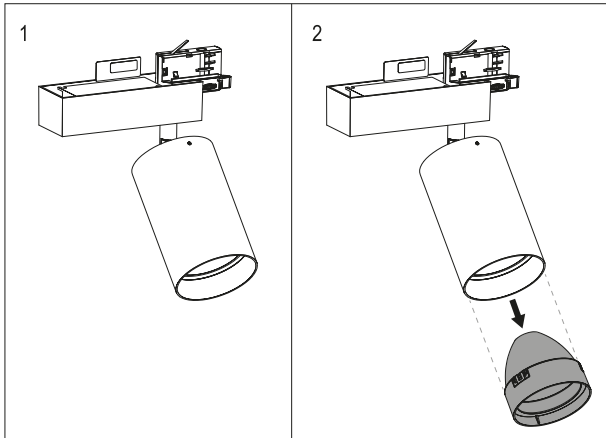


architectural

UT Spot LED ACCESSORIES

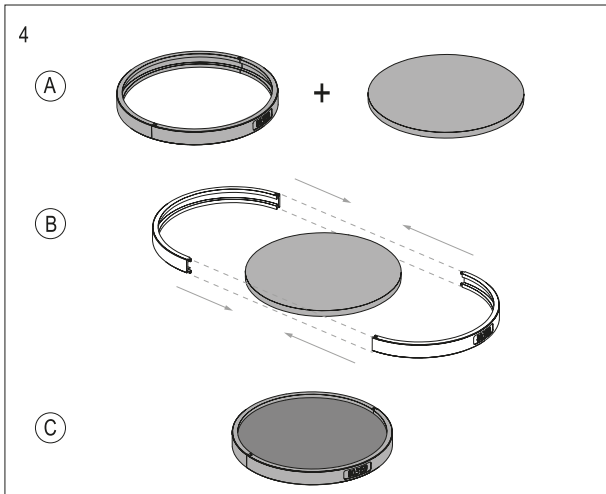
ANTARES ILUMINACIÓN S.A.U.

Calle Mallorca, 1
 Polígono Industrial Reva
 46394 Ribarroja
 Valencia-Spain
 Tel: +34 961 669 520
 Fax: +34 961 668 286
 www.flos.com



⚠ FILTERS	Not available
-----------	---------------

LENS ASSEMBLY



5 HONEYCOMB AND LENS COMBINATION			
OPTION 1 HONEYCOMB + EMPTY RING	OPTION 2 HONEYCOMB + LENS	OPTION 3 1 LENS + EMPTY RING	OPTION 4 2 LENS

5 CROSS RING AND LENS COMBINATION	
OPTION 2 CROSS RING + LENS	OPTION 3 1 LENS + EMPTY RING

